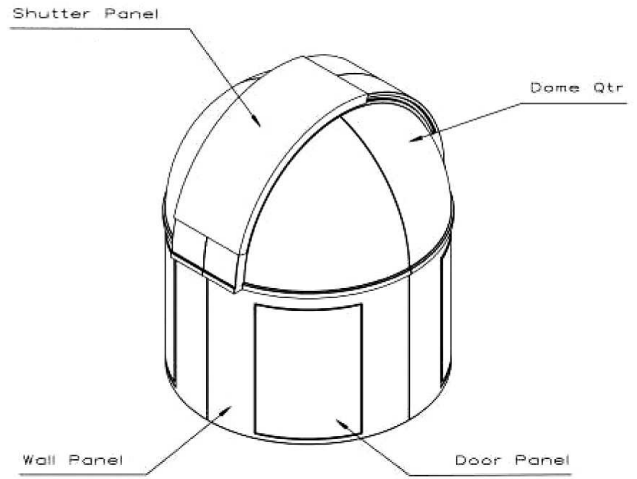
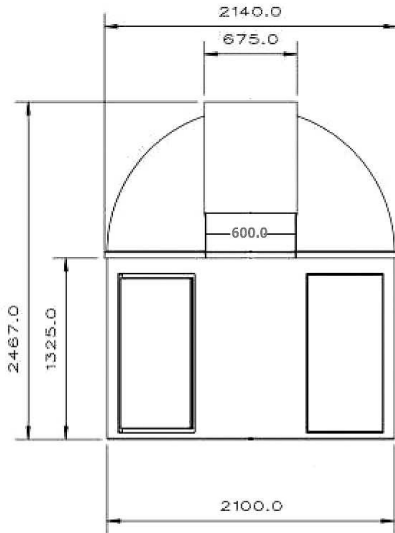
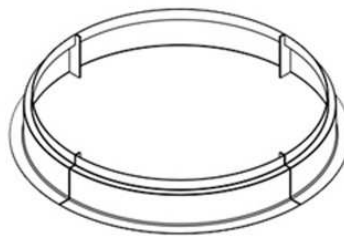
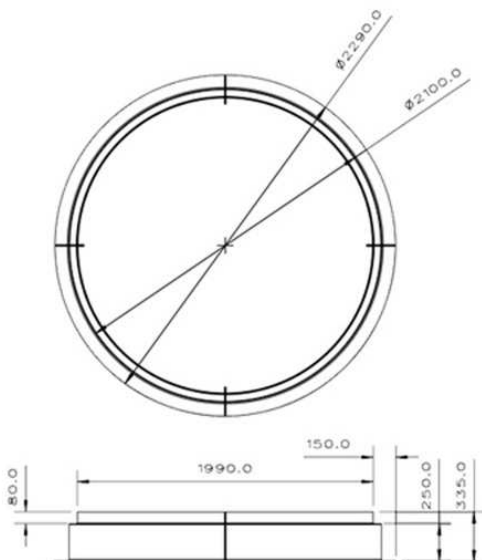


2.2 M OBSERVATORY DIMENSIONS



FULL HEIGHT OBSERVATORY



TRACK WALL DIMENSIONS FOR ROOFTOP INSTALLATION